

T-26/167

WELLTEC PROFILED SHEET

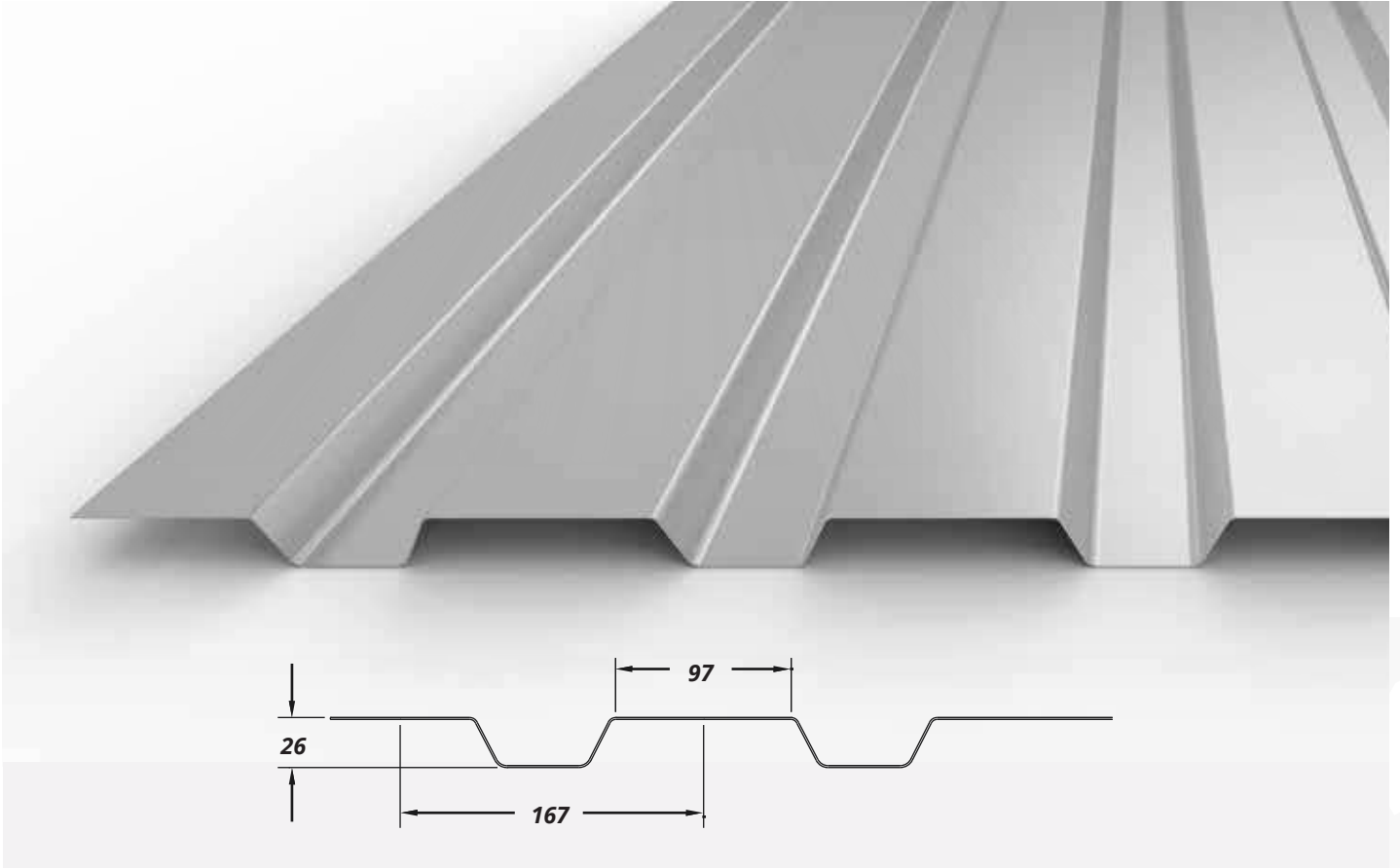


Image not to scale

Maximum Panel Size	1002mm (A) x 5500mm (B) Bespoke to your sizes
Material Thickness	0.8mm, 1mm, 1.5mm
Profile Pitch	167mm
Profile Height	26mm
Perforation Available	Yes

Material	Secondary Finish
Aluminium	Powder Coat, Anodised
Mild Steel	Powder Coat
Pre Galvanised	Powder Coat
Stainless Steel	Powder Coat, Brushed, Natural

Measurements and data are approximate and should be confirmed with a physical sample. If you are unsure if you are selecting the right mesh for your application please contact the technical team for more information