

L-196

WOVEN MESH



AMRON
ARCHITECTURAL

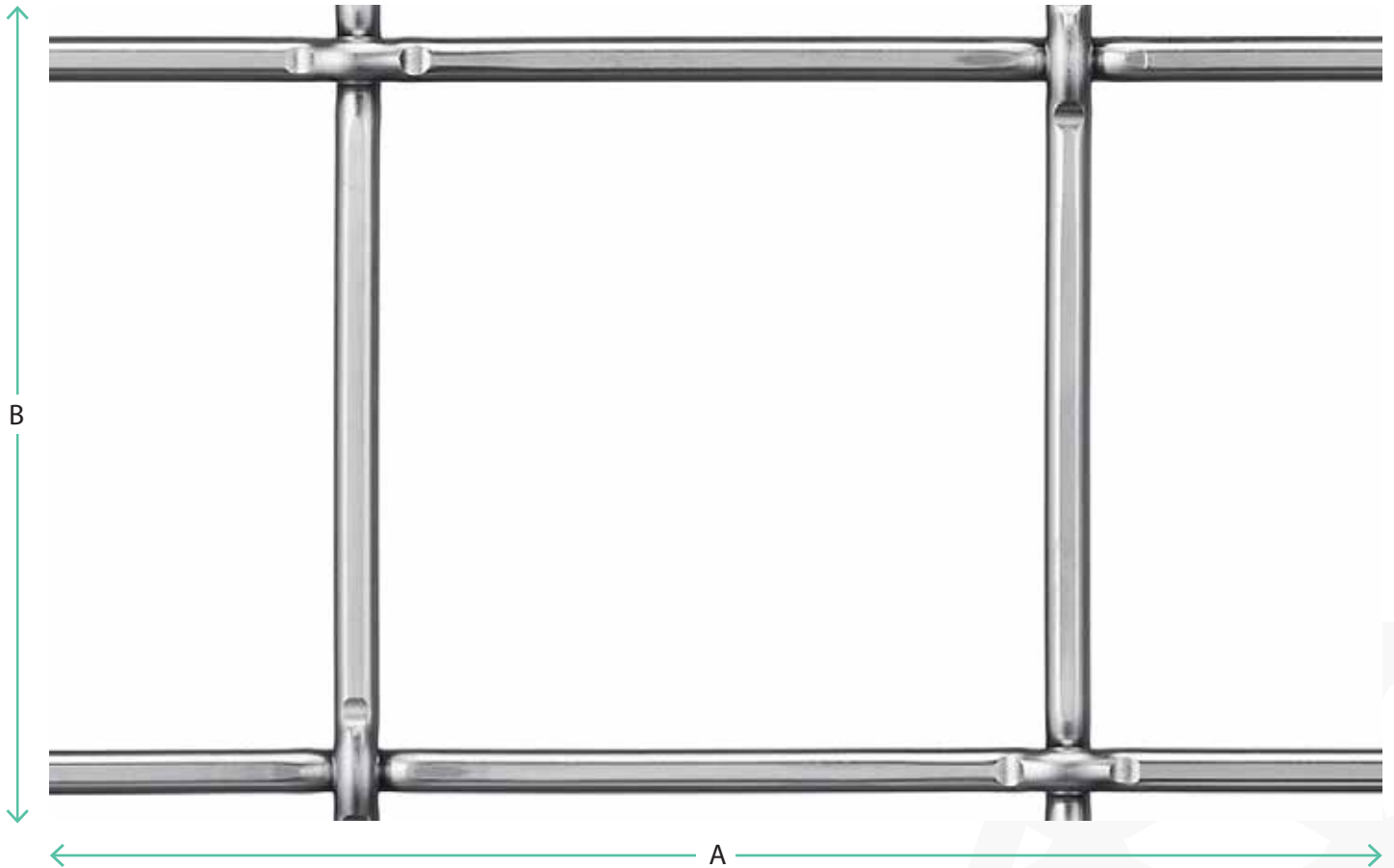


Image not to scale

Maximum Sheet Size	Raw Material: 4000mm (A) x 2400mm (B) Decorative Plating: 2400mm (A) x 1000mm (B) Bespoke to your sizes
Material Thickness	9.75mm
Open Area	87.6%
Weight	4.05kg / m ²
Opening Limitation	71mm

Material	Secondary Finish
Mild Steel	Powder Coat, Decorative Plating
Aluminium	Powder Coat
Stainless Steel	Powder Coat, PVD
Pre Galvanised	Powder Coat
Copper	US10A and US10B
Brass	US10A and US10B
Bronze	US10A and US10B
Stainless Steel / Copper	US10A
Stainless Steel / Brass	US10A
Stainless Steel / Bronze	US10A

Measurements and data are approximate and should be confirmed with a physical sample. If you are unsure if you are selecting the right mesh for your application please contact the technical team for more information