

AC300 TECH GUIDE

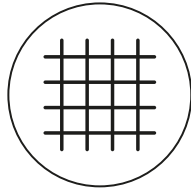
Hook-on Z-bar, concealed grid



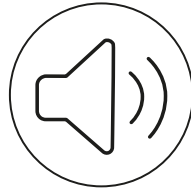
AMRON
ARCHITECTURAL

Product AC300 Hook-on Z-bar, concealed grid

Features



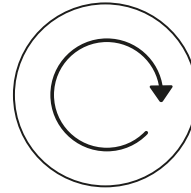
CONCEALED GRID



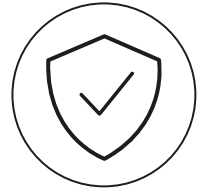
UP TO 1.0 NRC



A2, s1, d0



RECYCLABLE



25 YEAR WARRANTY

Grid Steel hook-on concealed 38-50mm (D) supporting Z-Bar channels and grid

Size Maximum length up to 3000mm, maximum width up to 1000mm. Note: panels over 1000mm may require stiffeners. Bespoke sizes on request

Material Steel or Aluminium panels

Metal Pattern & Types Solid, Perforated, Expanded, Woven. Refer to Metal Pattern & Types Brochure for specifications

Finish Polyester powder-coated (PPC)
Anodised
Sublimated Timber Effect
Decorative Plating
Bespoke finishes on request

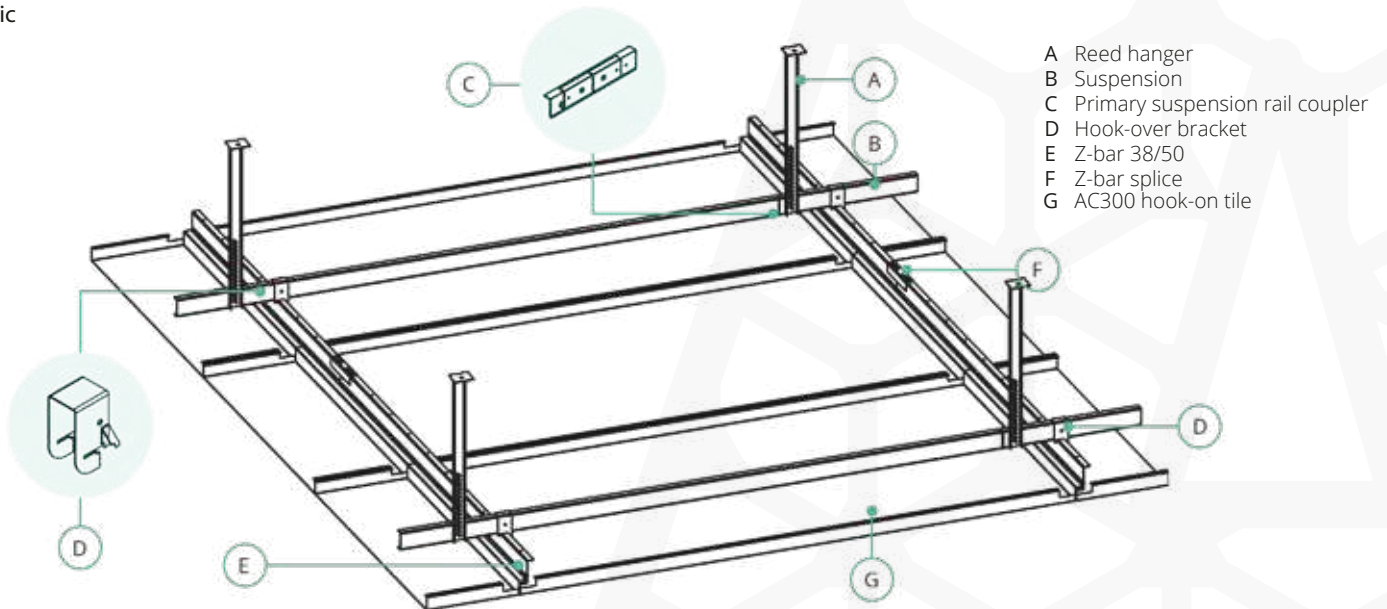
Acoustic Acoustic fleece, pad or board
Performance is dependant on pattern open area and infill
Absorption: up to 1.0NRC
Attenuation: up to 40dB

Fire A2, s1,d0 dependant on finish

Environmental ISO 14001 and ISO 9001
Recyclable and designed for disassembly

Services Services independently suspended

Isometric



Section

