

AC610 TECH GUIDE

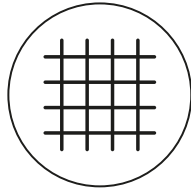
Acoustic Baffle Ceiling



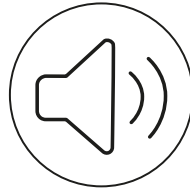
AMRON
ARCHITECTURAL

Product AC610 Acoustic Baffle Ceiling

Features



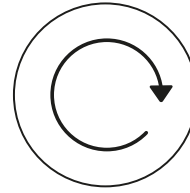
EXPOSED GRID



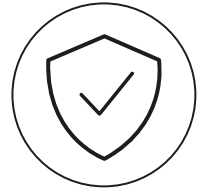
UP TO 1.0 NRC



A2, s1,d0



RECYCLABLE



25 YEAR WARRANTY

Grid Steel hook-on, visible grid

Size Maximum length 2500mm, minimum width 50mm, depth range 100-400mm
Bespoke sizes on request

Material Steel baffles

Metal Pattern & Types **Solid, Perforated.** Refer to Metal Pattern & Types Brochure for specifications

Finish Polyester powder-coated (PPC)
Sublimated Timber Effect
Bespoke finishes on request

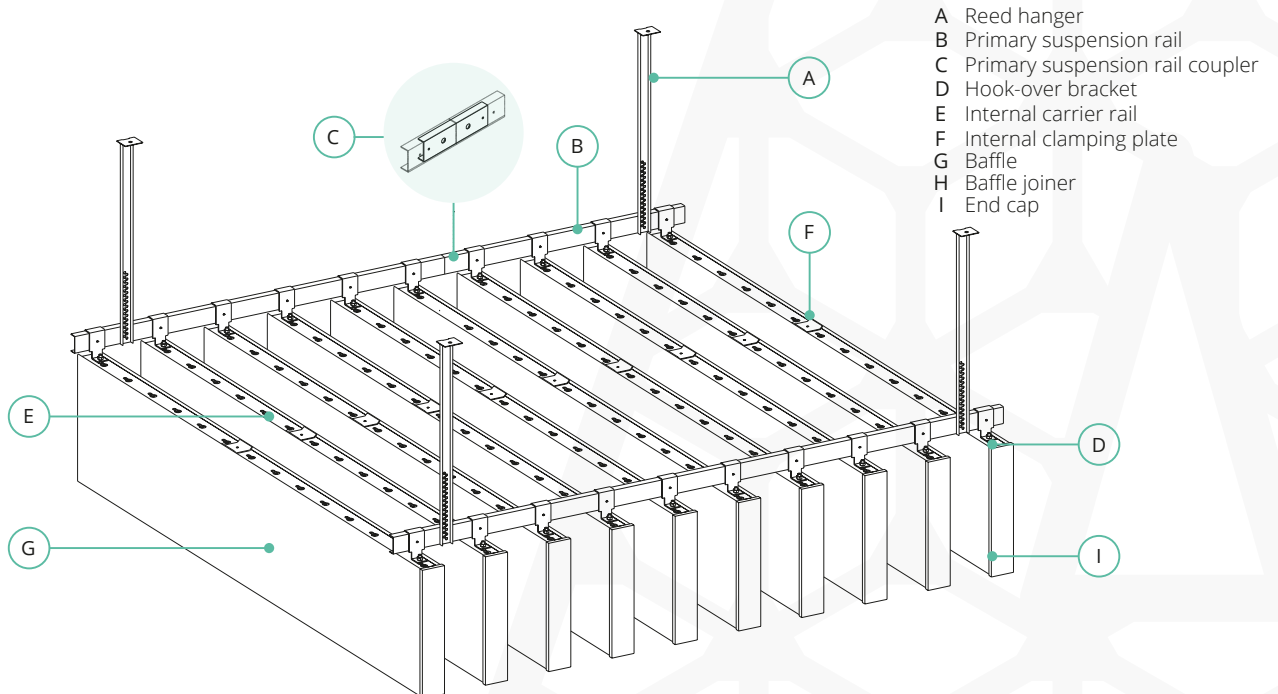
Acoustic Acoustic pad infill
Absorption: up to 1.0NRC. Performance is dependent on pattern open area, infill and baffle spacing

Fire A2, s1,d0 dependant on finish

Environmental ISO 14001 and ISO 9001
Recyclable and designed for disassembly

Technical Services integration supported independently

Isometric



Section

