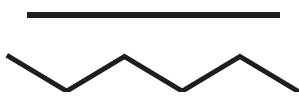


# AS-103

ROUND BAR WITH EYEBOLTS,  
NOTCHED MESH

info@amronarchitectural.co.uk | +44 (0) 1795 228 583 |  
Amron Architectural Limited 9-10 The Foundry Business  
Park, Seager Road, Faversham, Kent, ME13 7FD

## Shapes



Straight

Zig Zag

## Compatible Meshes

CM-100

CM-110

CM-130

CM-310

CM-400

## Applications

Facades

Wall Covering

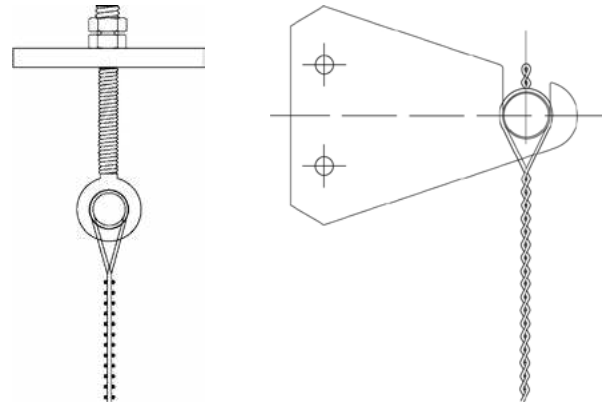
Fencing & Enclosures

Partitioning & Room Dividers

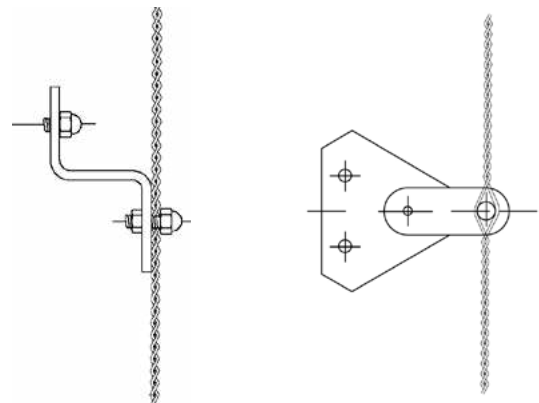
## Materials

Stainless Steel

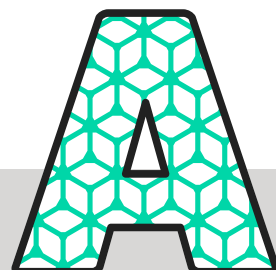
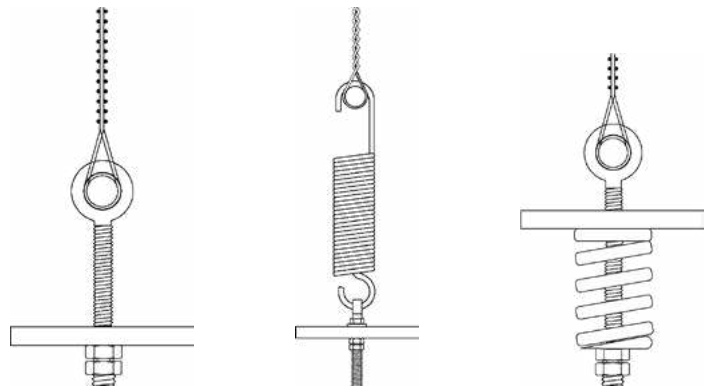
## Top Fixings



## Intermediate Fixings



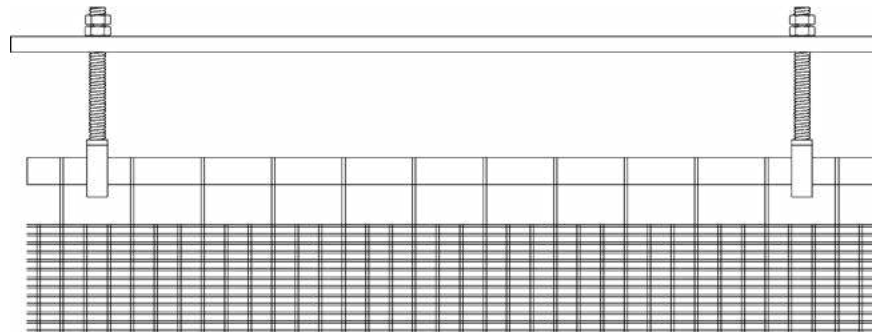
## Bottom Fixings



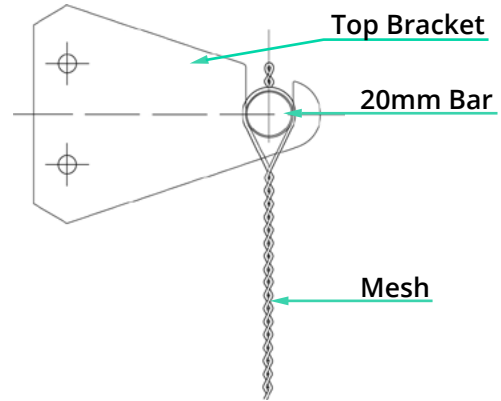
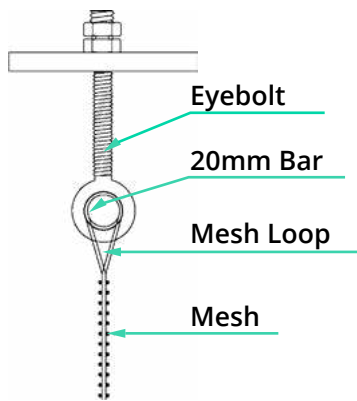
# AS-103

ROUND BAR WITH EYEBOLTS,  
NOTCHED MESH

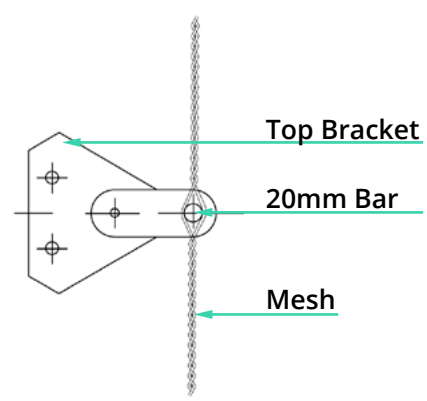
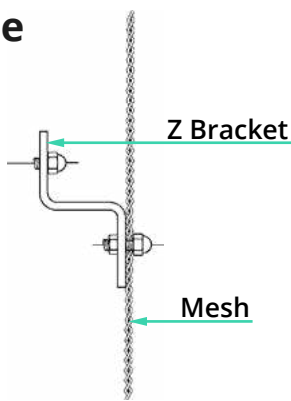
info@amronarchitectural.co.uk | +44 (0) 1795 228 583 |  
Amron Architectural Limited 9-10 The Foundry Business  
Park, Seager Road, Faversham, Kent, ME13 7FD



## Top Fixings



## Intermediate Fixings



## Bottom Fixings

